

MODEL:

## VRIC525

### 5.25" Total 350 Watts Max Power 2 Way Speaker System

#### 2-WAY IN-CEILING SPEAKER SYSTEM

5.25" 2-Way Ceiling Speaker System

Black Injection Cone With Rubber Edge

Rotatable 1" Titanium Dome Tweeter In Swivel Mount

Voice Coil: 1.0"

Magnet: 8 Oz

Max Power: 2\*175 Watts

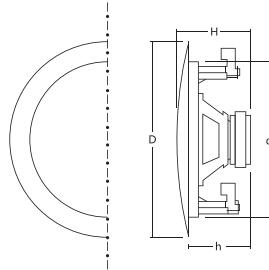
Frequency Response: 80 Hz-20 KHz

Impedance: 4-8 Ohm

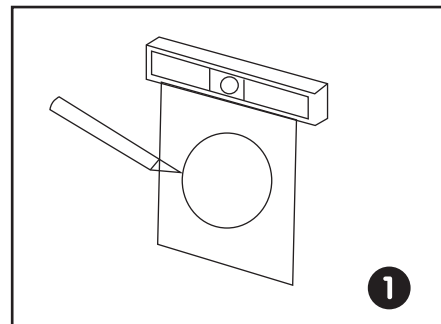
Sensitivity: 89 dB

With Electronic Crossover Network

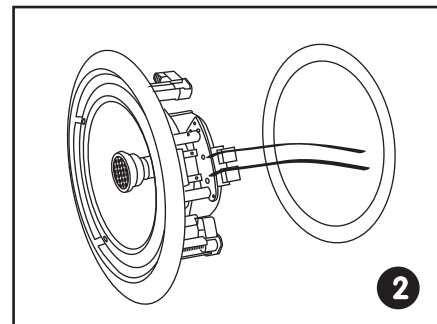
Dimensions(mm): D7.9", d6.5", H2.9", h2.6"



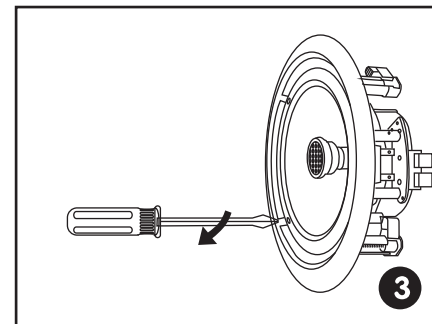
#### INSTALLATION GUIDE



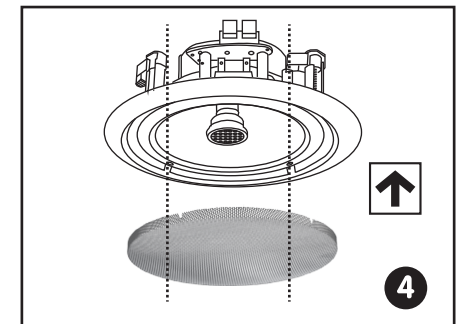
1  
Cut the drywall.  
Note: Always allow at least one-half inch between a wall stud and the speaker cutout or the locking tabs will not be able to swivel into place.



2  
Connect the speaker wires to the speaker.



3  
Screw down each of the four Phillips head screws. The locking tabs will swivel into place and secure the unit to the rear surface of the drywall. Put in the strips of adhesive to secure the grille.



4  
Press the cover according to the direction of the picture with the speaker assembly.

Vaiyer.com  
Tech@vaiyer.com  
888-700-8502

CE   
Made in China

**ATTENTION:**



BRIDGED WIRE

